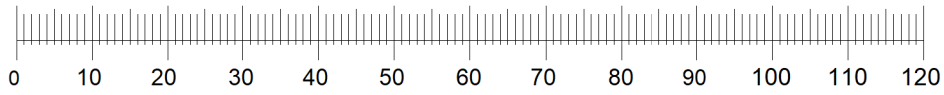
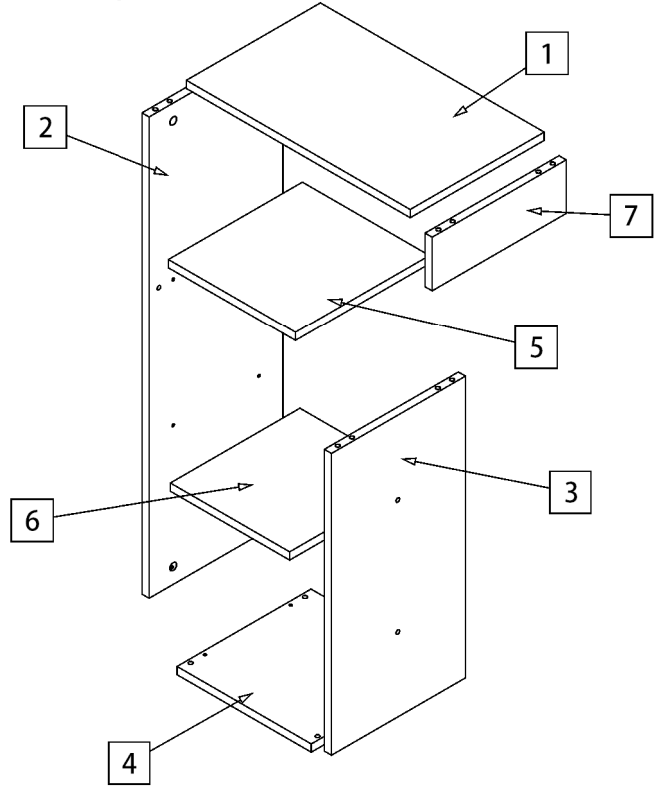
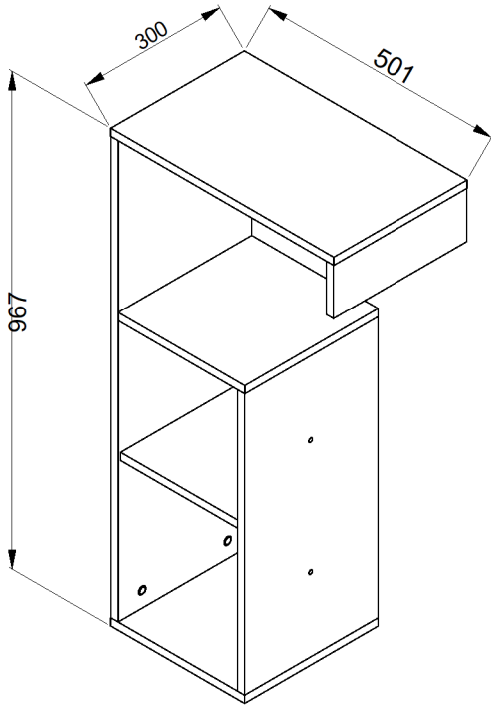
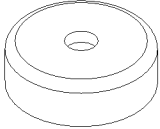
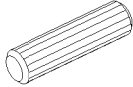

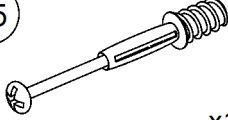

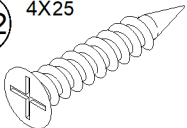
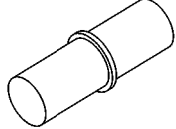

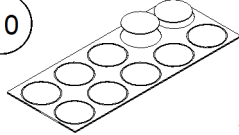


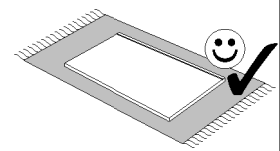
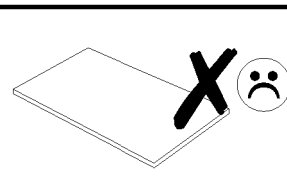
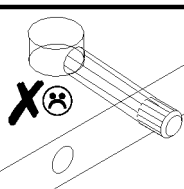
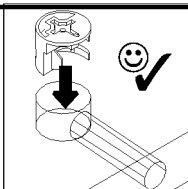
INDEX 16



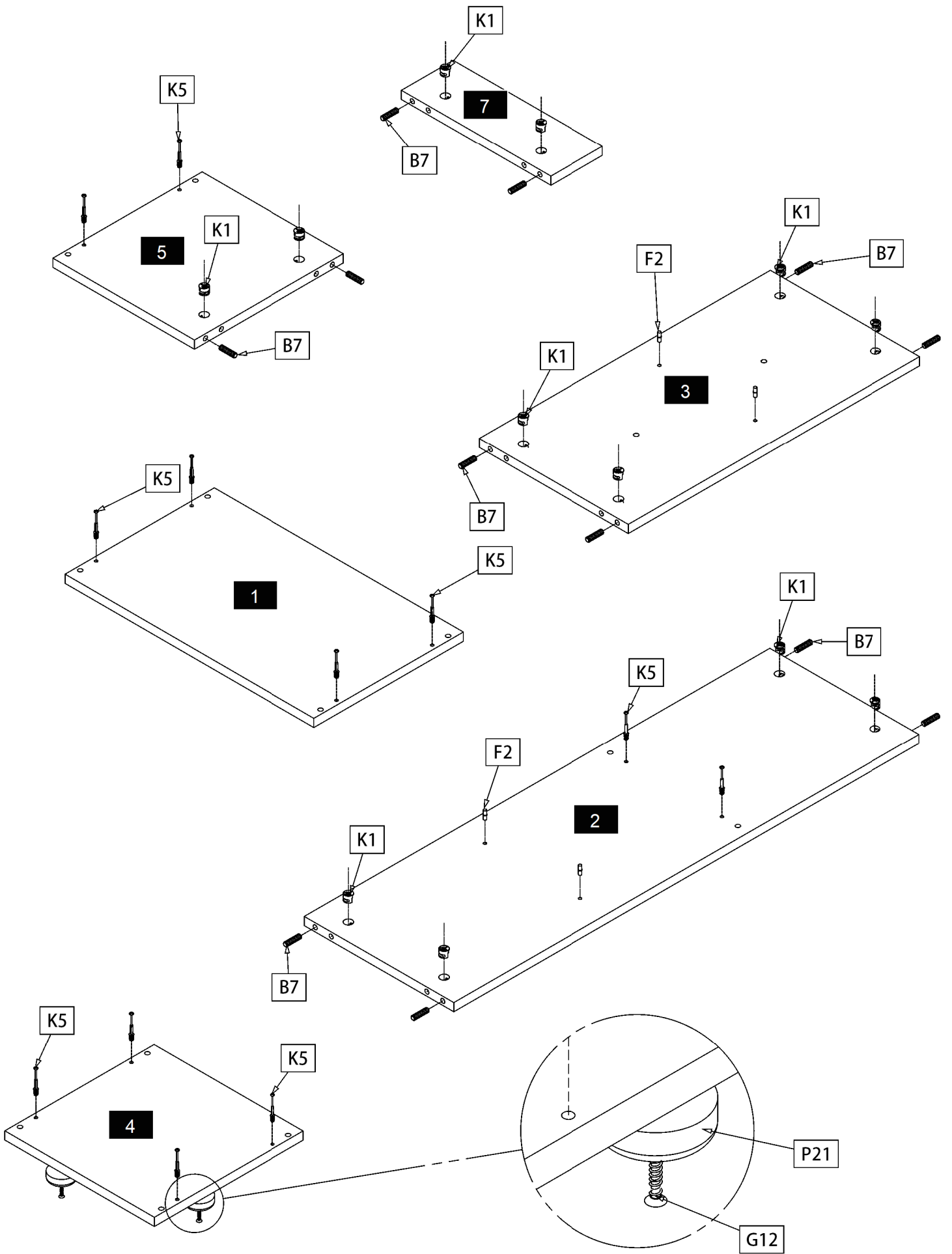
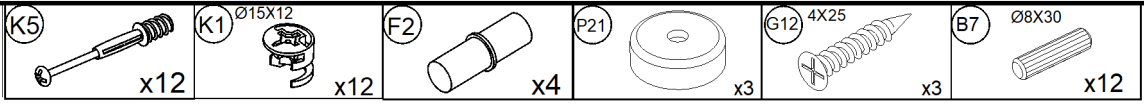
DOST. KOM.



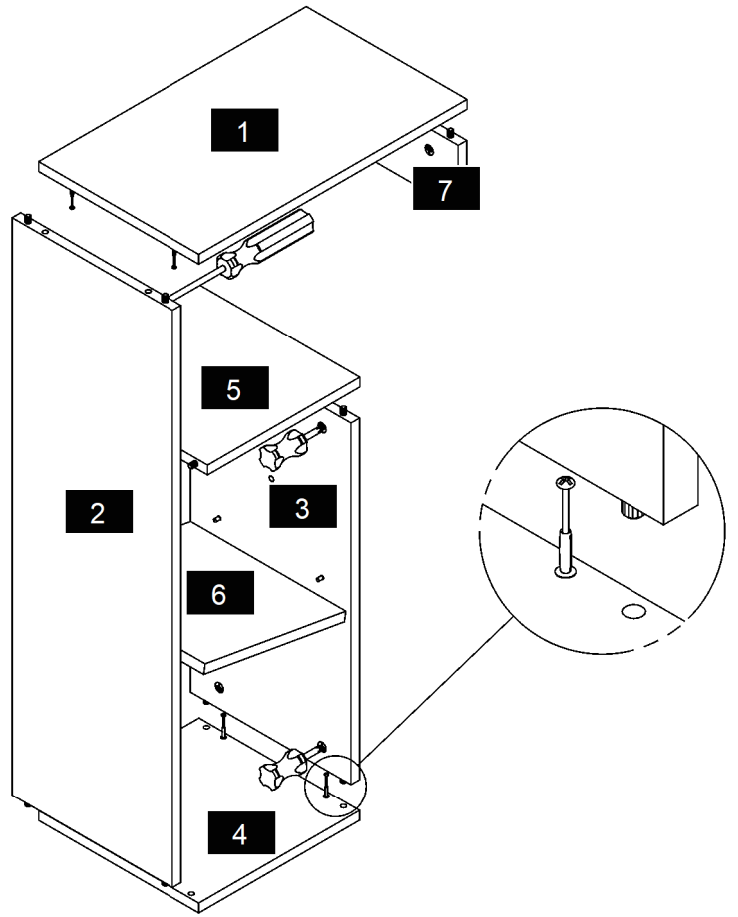
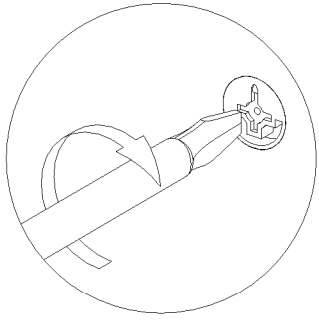
 P21 x3	 B7 Ø8X30 x12	 K1z x12	 K5 x12	 K1 Ø15X12 x12
 G12 4X25 x3	 F2 x4	 G3 4X30 x3	 I10 x2	



01



02



03

